



**Model Number**

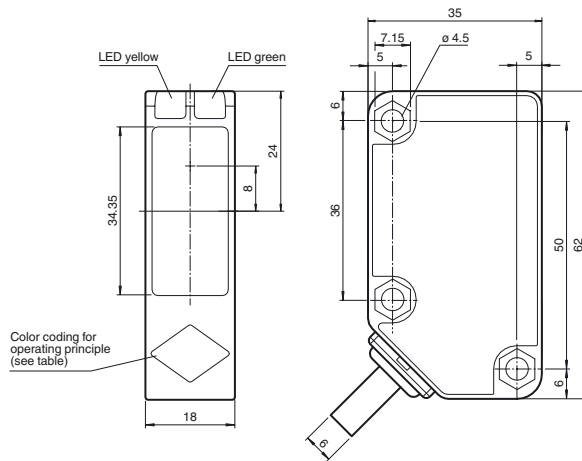
**LA31/LK31/25/31/115**

Thru-beam sensor  
with 2 m fixed cable

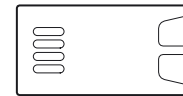
**Features**

- Cost-optimized series for standard tasks
- Large construction with small housing
- Highly visible LED
- Version for universal voltages
- Relay output
- Wide range of mounting options

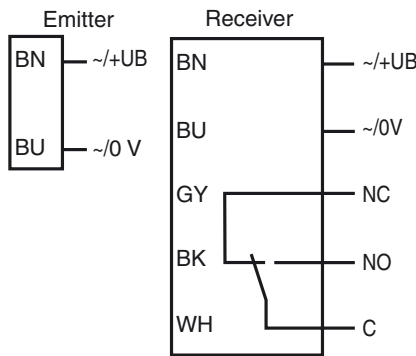
**Dimensions**



Operating principle	color
Retroreflective sensor with polarisation filter	green
Retroreflective sensor	blue
Diffusive mode sensor	white
Thru-beam sensor	grey
Diffusive mode sensor with background suppression	red



**Electrical connection**



Release date: 2012-05-31 12:54 Date of issue: 2012-06-21 186501\_eng.xml

**Technical data****System components**

Emitter	LA31/115
Receiver	LK31/25/31/115

**General specifications**

Effective detection range	0 ... 30 m
Threshold detection range	43 m
Light source	LED
Light type	modulated visible red light , 630 nm
Alignment aid	LED yellow: 1. LED illuminates: Sufficient light signal received, emitter and receiver alignment is correct 2. LED flashes: Reaching switching point 3. LED off: Light beam is interrupted or the alignment is out
Diameter of the light spot	approx. 800 mm at a distance of 30 m
Angle of divergence	Emitter: 0.5 ° , Receiver: 1.5 °
Ambient light limit	50000 Lux ; according EN 60947-5-2

**Functional safety related parameters**

MTTF <sub>d</sub>	620 a
Mission Time (T <sub>M</sub> )	20 a
Diagnostic Coverage (DC)	0 %

**Indicators/operating means**

Operating display	LED green: power on
Function display	LED yellow: 1. LED lit constantly: signal > 2 x switching point (function reserve) 2. LED flashes: signal between 1 x switching point and 2 x switching point 3. LED off: signal < switching point

**Electrical specifications**

Operating voltage	U <sub>B</sub>	24 ... 240 V AC 12 ... 240 V DC
No-load supply current	I <sub>0</sub>	Emitter: ≤ 20 mA Receiver: ≤ 20 mA
Power consumption	P <sub>0</sub>	Emitter: ≤ 1 VA Receiver: ≤ 1 VA

**Output**

Switching type	light on	
Signal output	Relay, 1 alternator	
Switching voltage	max. 250 V AC/DC	
Switching current	max. 3 A	
Switching power	DC: max. 150 W AC: max. 750 VA	
Switching frequency	f	≤ 20 Hz
Response time		≤ 25 ms

**Ambient conditions**

Ambient temperature	-25 ... 55 °C (-13 ... 131 °F)
Storage temperature	-40 ... 70 °C (-40 ... 158 °F)

**Mechanical specifications**

Protection degree	IP67
Connection	Emitter: 2 m fixed cable , 2-wire Receiver: 2 m fixed cable , 5-wire

**Material**

Housing	Polycarbonate
Optical face	PMMA
Mass	Emitter: 116 g Receiver: 131 g

**Compliance with standards and directives**

Directive conformity	EMC Directive 2004/108/EC
Standard conformity	
Product standard	EN 60947-5-2:2007 IEC 60947-5-2:2007
Standards	EN 62103

**Approvals and certificates**

Protection class	II , rated voltage ≤ 250 V AC with pollution degree 1-2 according to IEC 60664-1 Output circuit basis insulation of input circuit according to EN 50178, rated insulation voltage 240 V AC
CCC approval	Certified by China Compulsory Certification (CCC)

**Accessories**

**OMH-RL31-01**  
Mounting bracket

**OMH-RL31-02**  
Mounting bracket narrow

**OMH-RL31-03**  
Mounting bracket narrow

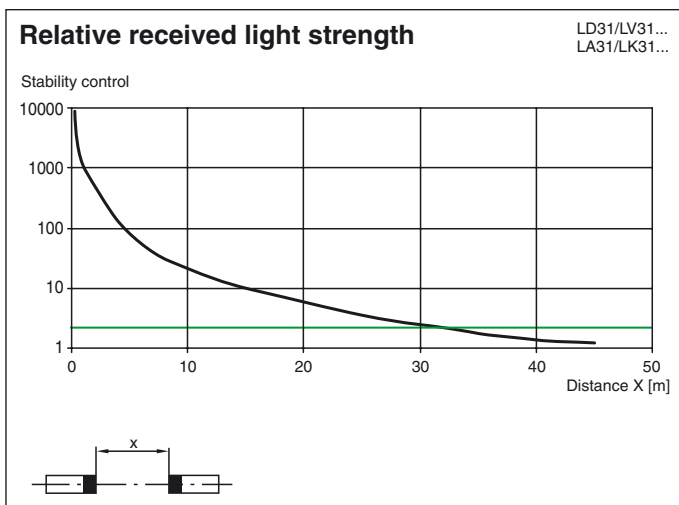
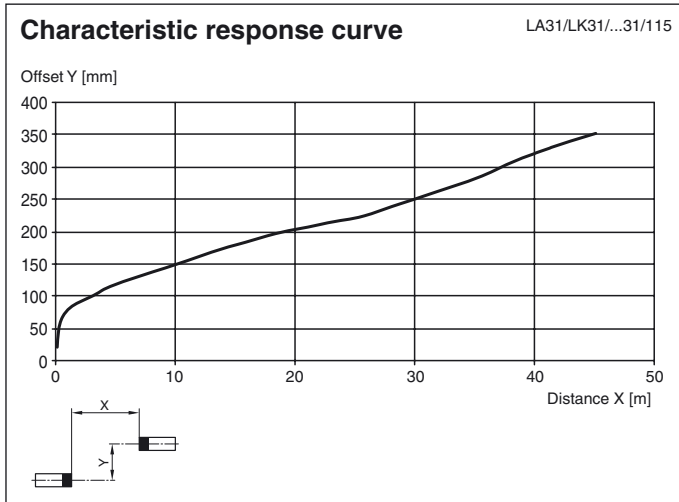
**OMH-RL31-04**  
Mounting aid for round steel ø 12 mm or sheet 1.5 mm ... 3 mm

**OMH-RL31-06**  
Stainless steel mounting bracket with adjustable half clamp on the side

**OMH-RL31-05**  
Mounting bracket with M10 threaded rod

Additional accessories can be found in the Internet.

Curves/Diagrams



Release date: 2012-05-31 12:54 Date of issue: 2012-06-21 186501\_eng.xml