



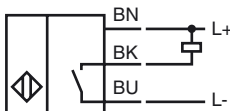
Model Number

NJ50-FP-E-P1

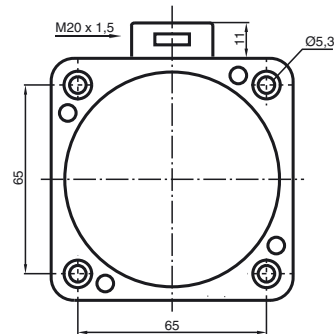
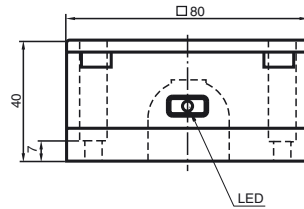
Features

- Comfort series
- 50 mm not embeddable

Connection



Dimensions



Technical Data

General specifications

Switching element function	NPN	NO
Rated operating distance	s_n	50 mm
Installation	not embeddable	
Output polarity	DC	
Assured operating distance	s_a	0 ... 40.5 mm
Reduction factor r_{Al}	0.4	
Reduction factor r_{Cu}	0.3	
Reduction factor r_{304}	0.85	

Nominal ratings

Operating voltage	U_B	10 ... 30 V
Switching frequency	f	0 ... 100 Hz
Hysteresis	H	typ. 3 %
Reverse polarity protected	reverse polarity protected	
Short-circuit protection	pulsing	
Voltage drop	U_d	≤ 3 V
Operating current	I_L	0 ... 200 mA
Off-state current	I_r	0 ... 0.5 mA typ. 0.1 μ A at 25 °C
No-load supply current	I_0	≤ 20 mA
Operating voltage display	LED, green	
Indication of the switching state	LED, yellow	

Ambient conditions

Ambient temperature	-25 ... 70 °C (-13 ... 158 °F)
---------------------	--------------------------------

Mechanical specifications

Connection type	screw terminals
Core cross-section	up to 2.5 mm ²
Housing material	PBT
Sensing face	PBT
Housing base	PBT
Protection degree	IP67

Compliance with standards and directives

Standard conformity	
Standards	EN 60947-5-2:2007 IEC 60947-5-2:2007

Approvals and certificates

UL approval	cULus Listed, General Purpose
CSA approval	cCSAus Listed, General Purpose

Release date: 2010-11-21 10:54 Date of issue: 2012-02-03 017568_eng.xml