



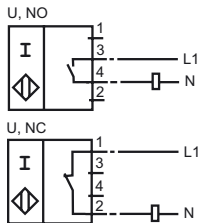
Model Number

NCN40+U1+U

Features

- Comfort series
- 40 mm not embeddable

Connection



Accessories

V1-W

Non pre-wired cable socket

V1-W-2M-PUR

Cable connector

V1-G-2M-PUR

Cable connector

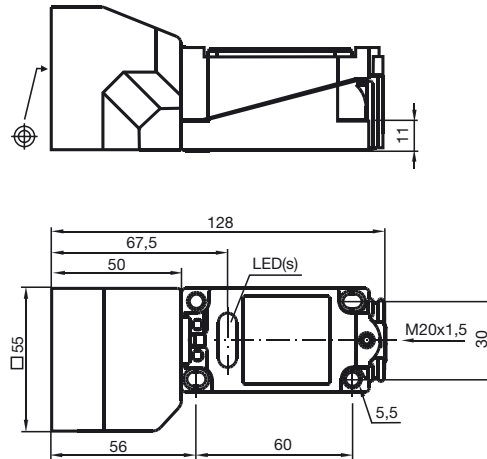
MHW 01

Mounting aid

V1-M20-80

Receptacles

Dimensions



Technical Data

General specifications

Switching element function		AC/DCMake/Break function
Rated operating distance	s_n	40 mm
Installation		not embeddable
Output polarity		AC/DC
Assured operating distance	s_a	0 ... 32.4 mm
Reduction factor r_{AI}		0.45
Reduction factor r_{Cu}		0.45
Reduction factor r_{V2A}		0.8

Nominal ratings

Operating voltage	U_B	20 ... 253 V
Operating voltage DC		20 ... 300 V
Switching frequency	f	0 ... 25 Hz
Hysteresis	H	typ. 3 %
Short-circuit protection		pulsing
Voltage drop	U_d	≤ 4 V
Momentary current (20 ms, 0.1 Hz)		0 ... 3000 mA
Operating current	I_L	5 ... 500 mA
Off-state current	I_r	0 ... 2.5 mA typ. 1.5 mA
Operating voltage display		LED, green
Indication of the switching state		LED, yellow

Standard conformity

Standards	IEC / EN 60947-5-2:2004
-----------	-------------------------

Ambient conditions

Ambient temperature	-25 ... 70 °C (248 ... 343 K)
---------------------	-------------------------------

Mechanical specifications

Connection type	terminal compartment
Core cross-section	up to 2.5 mm ²
Housing material	PBT
Sensing face	PBT
Protection degree	IP68

Approvals and certificates

CCC approval	Certified by China Compulsory Certification (CCC)
--------------	---