



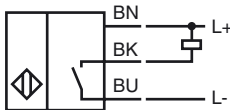
Model Number

NBB1,5-F79-E0

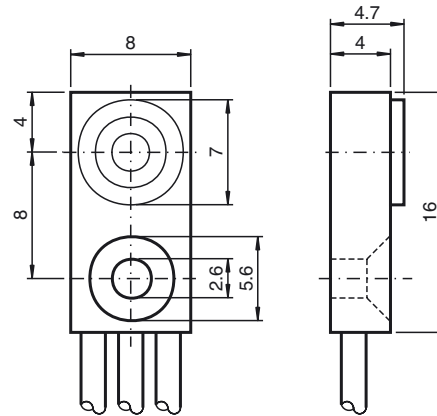
Features

- Basic series
- 1.5 mm embeddable
- 3-wire DC

Connection



Dimensions



Technical Data

General specifications

Switching element function		NPN	NO
Rated operating distance	s_n	1.5 mm	
Installation		embeddable	
Output polarity		DC	
Assured operating distance	s_a	0 ... 1.215 mm	
Reduction factor r_{AI}		0.3	
Reduction factor r_{Cu}		0.2	
Reduction factor r_{304}		0.7	

Nominal ratings

Operating voltage	U_B	5 ... 30 V DC	
Switching frequency	f	0 ... 1200 Hz	
Hysteresis	H	typ. 5 %	
Short-circuit protection		pulsing	
Voltage drop	U_d	≤ 1.5 V	
Operating current	I_L	0 ... 100 mA	
Off-state current	I_r	≤ 10 μ A	
No-load supply current	I_0	≤ 15 mA	

Functional safety related parameters

MTTF _d	4830 a
Mission Time (T_M)	20 a
Diagnostic Coverage (DC)	0 %

Ambient conditions

Ambient temperature	-25 ... 70 °C (-13 ... 158 °F)
---------------------	--------------------------------

Mechanical specifications

Connection type	flexible leads PVC , 500 mm
Core cross-section	0.08 mm ²
Housing material	PA
Sensing face	PA
Protection degree	IP67

Compliance with standards and directives

Standard conformity	
Standards	EN 60947-5-2:2007 IEC 60947-5-2:2007

Approvals and certificates

UL approval	cULus Listed, General Purpose
CSA approval	cCSAus Listed, General Purpose
CCC approval	Products with a maximum operating voltage of ≤ 36 V do not bear a CCC marking because they do not require approval.